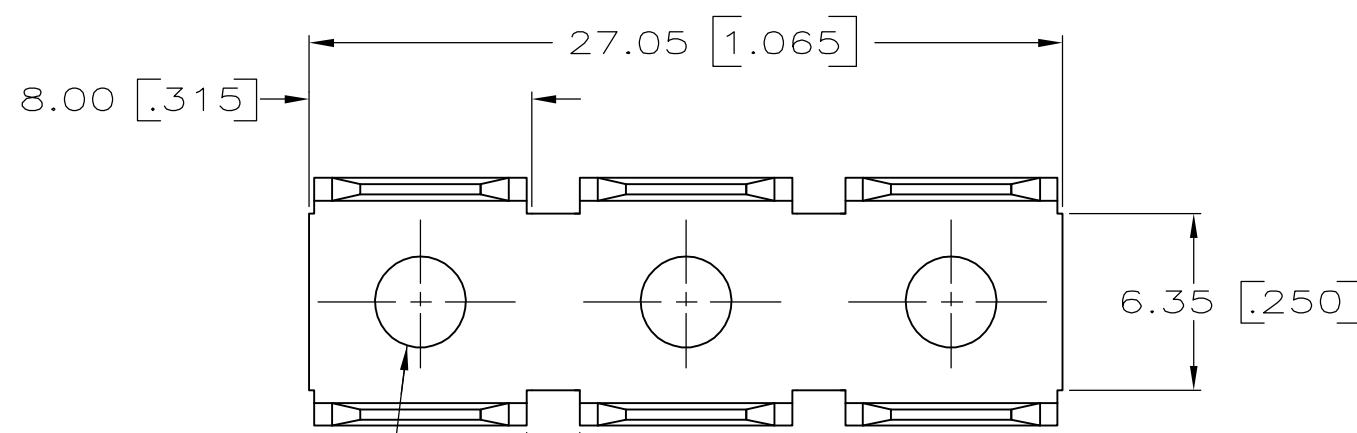


THIS DRAWING IS UNPUBLISHED. RELEASED FOR PUBLICATION  
 © COPYRIGHT BY TYCO ELECTRONICS CORPORATION. ALL RIGHTS RESERVED.

LOC	DIST	REVISIONS			
P	LTR	DESCRIPTION	DATE	DWN	APVD
AF	50	AG	REV PER ECR-05-017287	27MAR06	HMR JR

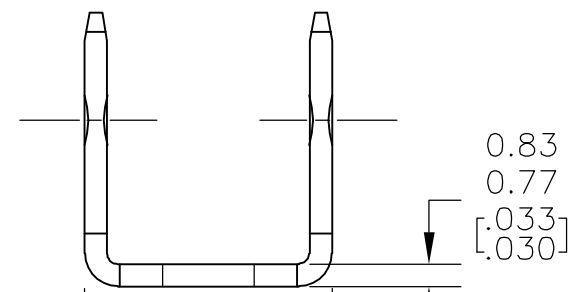
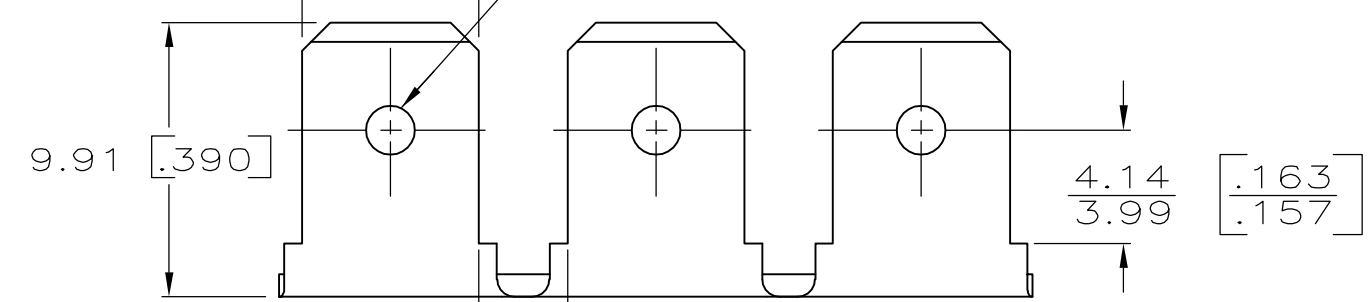


1- DIMENSIONS IN BRACKETS ARE IN INCHES.  
 2- CONTINUOUS STRIP ON REELS.

$\frac{3.43}{3.18}$   $\left[ \frac{.135}{.125} \right]$  DIA HOLE

$\frac{2.03}{1.65}$   $\left[ \frac{.080}{.065} \right]$  DIA DIMPLE (BOTH SIDES)

$\frac{6.43}{6.27}$   $\left[ \frac{.253}{.247} \right]$



41292  
 PART NO

THIS DRAWING IS A CONTROLLED DOCUMENT.		DWN JR RUTH 8/12/86	Tyco Electronics Corporation Harrisburg, PA 17105-3608	
DIMENSIONS: MM [INCHES]		CHK G YETTER 8/12/86		
TOLERANCES UNLESS OTHERWISE SPECIFIED:		APVD C MEYERS 8/13/86	NAME	
		PRODUCT SPEC	.250 SERIES FASTON TAB	
MATERIAL #2H BRASS		FINISH -	WEIGHT -	RESTRICTED TO -
		APPLICATION SPEC	SIZE A3	CAGE CODE 00779
			DRAWING NO C-41292	
		CUSTOMER DRAWING	SCALE 4:1	SHEET 1 OF 1
			REV AG	

**METRIC**